

Orthographic Projection - Homework #2

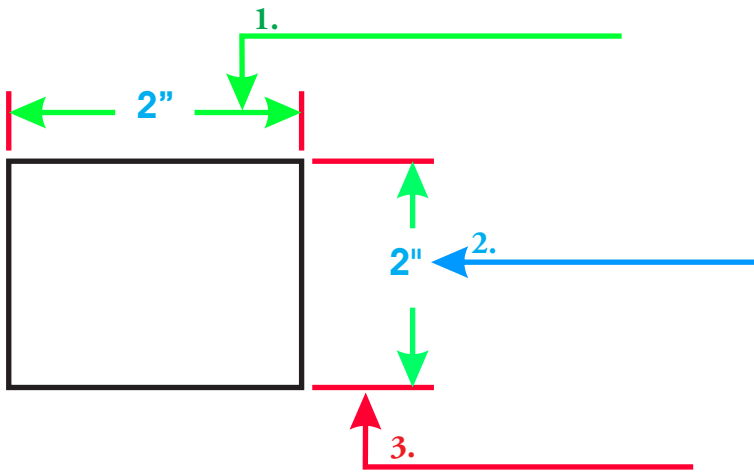
1. Put the following 3-View drawing steps in order (10 points)

- | | |
|--------------------|---------------|
| Isometric (Sketch) | Step 1. _____ |
| Top View | Step 2. _____ |
| Dimensions | Step 3. _____ |
| Front View | Step 4. _____ |
| Right Side View | Step 5. _____ |

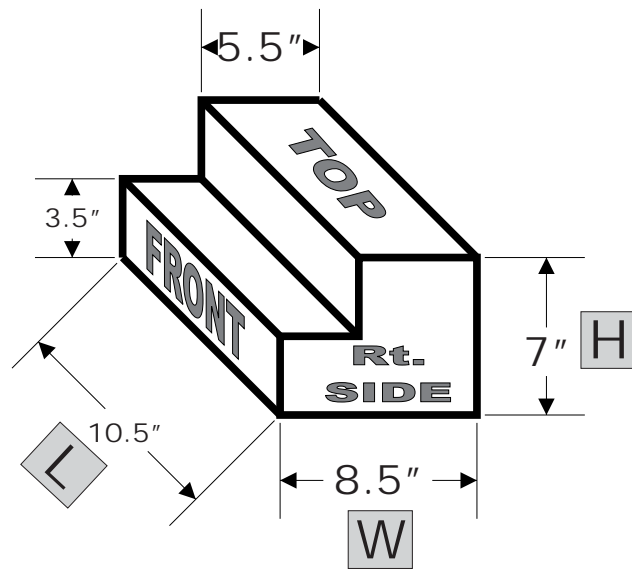
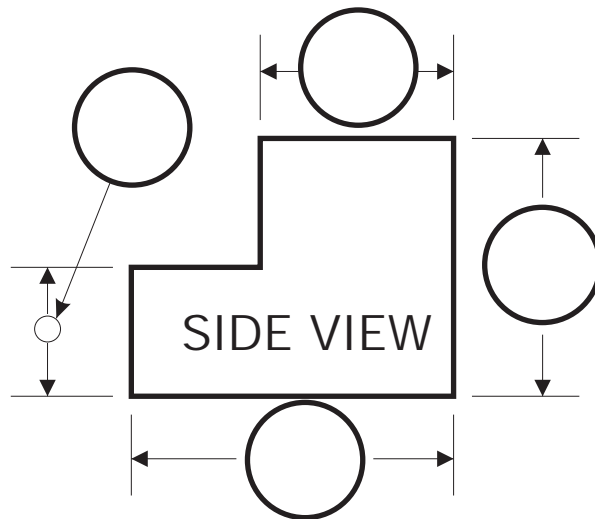
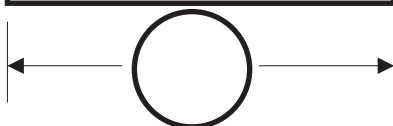
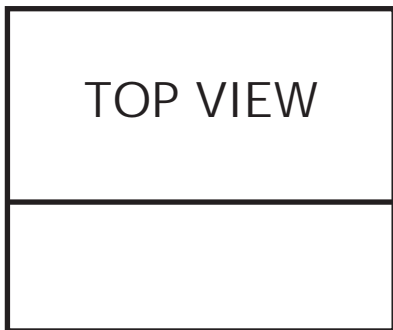
2. Using the same drawing scale we used in class, fill in the following chart (10 points)
REMEMBER: 1 block = 1/4"

Blocks	Inches
1	1/4"
2	
3	
4	
15	
16	
21	
33	
40	
48	

3. All dimensions have 3 parts, label the parts below. (10 points)



4. Fill in the dimensions for the following drawing (20 points)



5. Each View has 2 dimensions, fill in which dimension is missing. (10 points)

Front View shows Length and _____.

Top View shows width and _____.

Side View shows height and _____.

Extra credit for correct length of the slant
10 POINTS

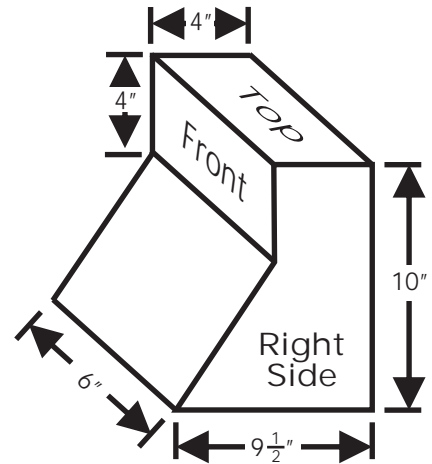
IMPORTANT: You must show your work to get credit

6. Answer the following questions about the shape provided (10 points)

What is the overall length? _____.

What is the overall width? _____.

What is the overall height? _____.



7. In the spaces provided, sketch the front view of each of the following shapes. (30 points)

Shape

Front View

Shape

Front View
